

THE FASTEST
CONNECTION
IS HERE



4G

4G LTE Antenna

WG-UMB-TC883



Frequency :700~2700MHZ

Gain : 3dBi

V.S.W.R : <1.5:1

Impedance : 50 ohm

Connector : MMCX(OPTIONAL)

Cable : RG174-3M (OPTIONAL)

Material : ABS

Length: 11.50cm

Polarization: Linear (V or H)

Type: Patch

Weight:60g

Temperature:-20°C to + 65°C

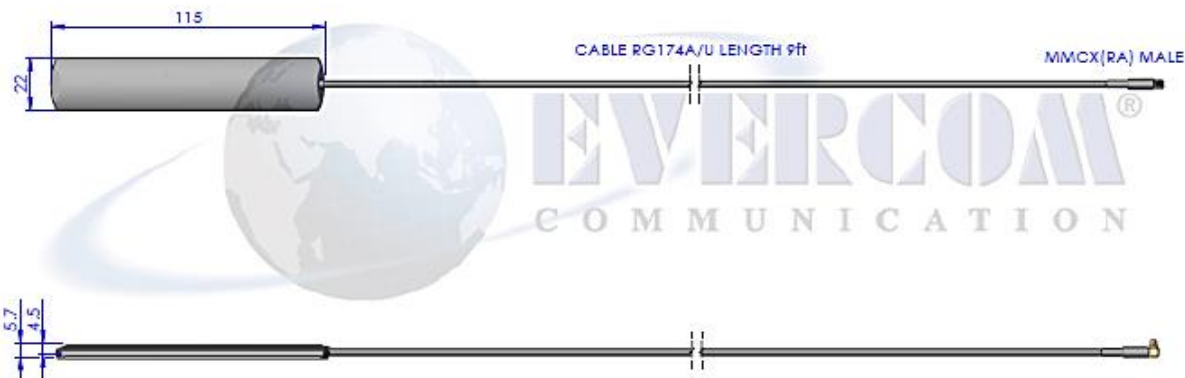
© 2016 EVERCOM COMMUNICAITON TECHNOLOGY CO., LTD.

No.108 Jiesin St. Taoyuan District Taoyuan City 33063, Taiwan R.O.C.

Tel: +886-3-376-5678 Fax: +886-3-376-5319 E-Mail: service@evercomtech.com



ISO 9001

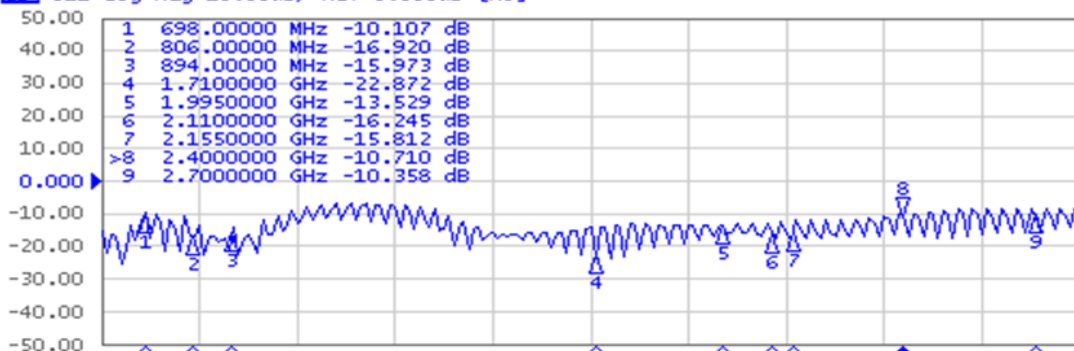


	EVERCOM COMMUNICATION TECHNOLOGY CO; LTD			CHECKED BY	APPROVAL BY	DESIGNED BY	SCALE	UNIT
	MODEL NAME		MODEL NO.	UMB-TC883(ERAMM2.5)	<i>Ben</i> 20161011	C.H.C 20160929	1:2	mm

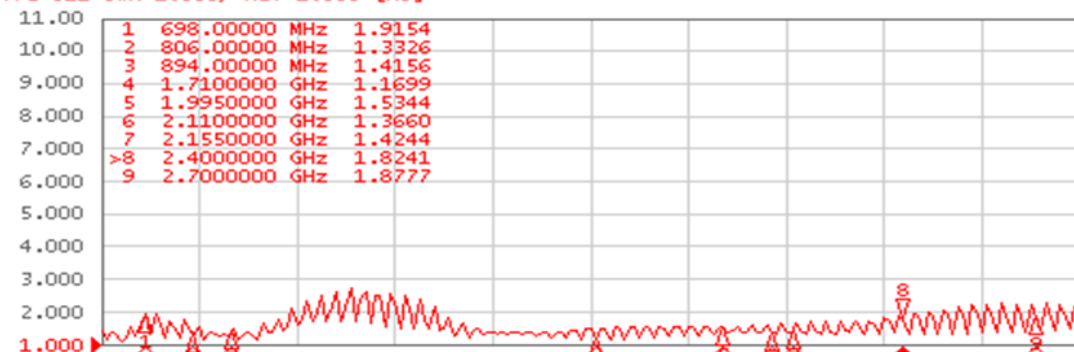
1 Active Ch/Trace 2 Response 3 Stimulus 4 Mkr/Analysis 5 Instr State

Evercom Communication Technology Co.,Ltd.

Tr1 S11 Log Mag 10.00dB/ Ref 0.000dB [R0]



Tr2 S11 SWR 1.000/ Ref 1.000 [R0]



1 Start 600 MHz IFBW 70 kHz Stop 2.8 GHz Cor !

Meas Stop ExtRef Ready Svc 2016-07-14 10:02

System

Print

Abort Printing

Printer Setup...

Invert Image
ON

Dump
Screen Image...

Multiport Test Set
Setup

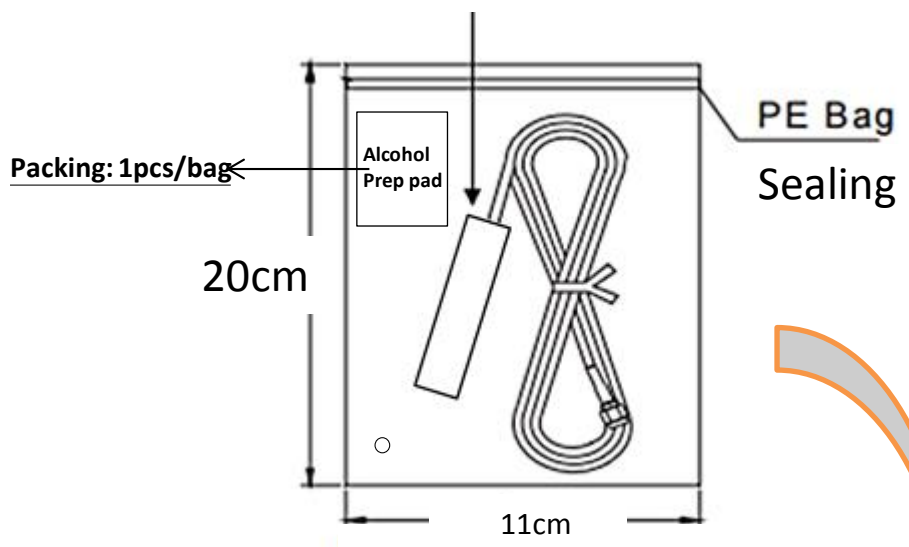
Misc Setup

Backlight
ON

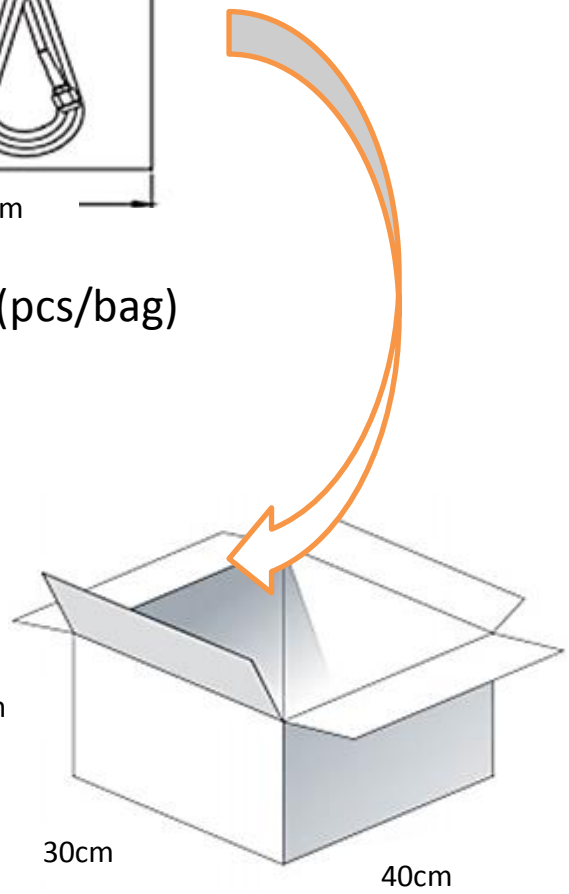
Firmware
Revision



1 pcs antenna PE bag/ each
TC-883



Packing:1(pcs/bag)



***100 pcs Bulk per carton**
Carton Dimensions:40*30*20cm



THE FASTEST CONNECTION IS HERE.



EVERCOM COMMUNICATION

4G

Antenna Applications

