

THE FASTEST  
CONNECTION  
IS HERE



4G

## 4G LTE Magnet Mount Antenna

### WG-UMB-TC-204A



Frequency :700~2700MHZ

Gain : 5dBi

V.S.W.R : <1.5:1

Impedance : 50ohm

Power: 50W

Connector : SMA/Male (Optional)

Cable : RG58 (Optional)

Polarization : Vertical

Color : Black

Mounting : Magnet Type

Length: 238cm

Weight:400g

Material: Steel

Temperature:-30°C to +80°C

© 2016 EVERCOM COMMUNICAITON TECHNOLOGY CO., LTD.

No.108 Jiesin St. Taoyuan District Taoyuan City 33063, Taiwan R.O.C.

Tel: +886-3-376-5678 Fax: +886-3-376-5319 E-Mail: [service@evercomtech.com](mailto:service@evercomtech.com)



ISO 9001



**EVERCOM**  
COMMUNICATION



CABLE RG58/U LENGTH 4.3M(14ft)

SMA MALE



EVERCOM COMMUNICATION TECHNOLOGY CO; LTD

CHECKED BY

APPROVAL BY

DESIGNED BY

SCALE

UNIT

MODEL NAME

MODEL NO.

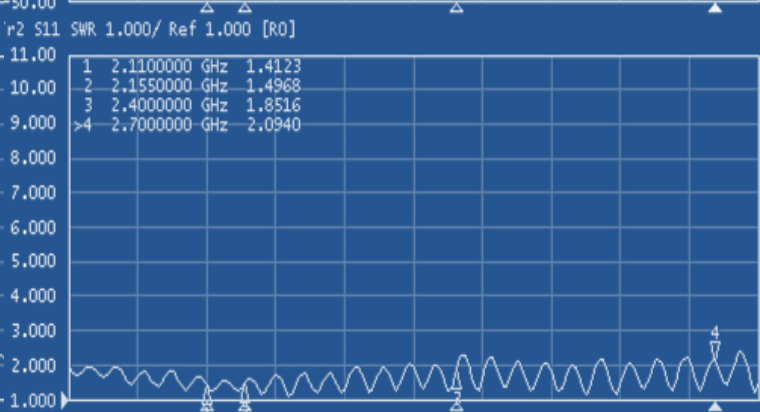
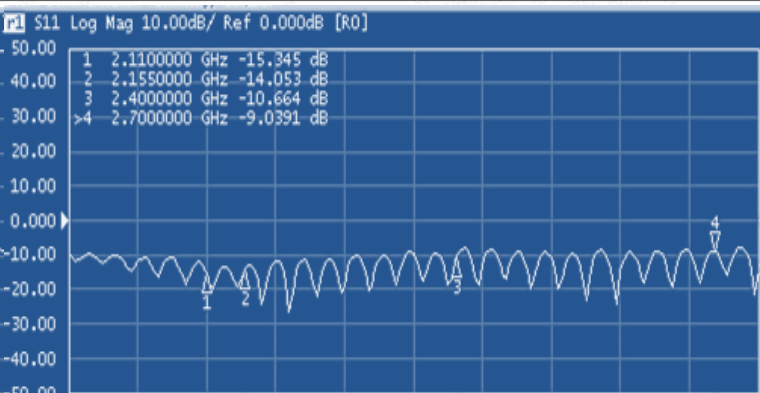
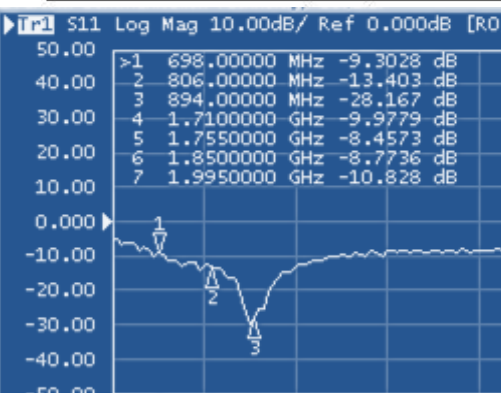
UMB-TC204ASMA-M4.3

*Ben*  
20150717

C.H.C  
2015.03.12

1 : 2

mm



1 Start 600 MHz IFBW Center 2.35 GHz IFBW 70 kHz Span 800 MHz Cor

Meas Stop ExtRef Ready Svc 2015-11-16 16:24

System

Print

Abort Printing

Printer Setup...

Invert Image  
ON

Dump Screen Image...

Multiport Test Set Setup

Misc Setup

Backlight  
ON

Firmware Revision

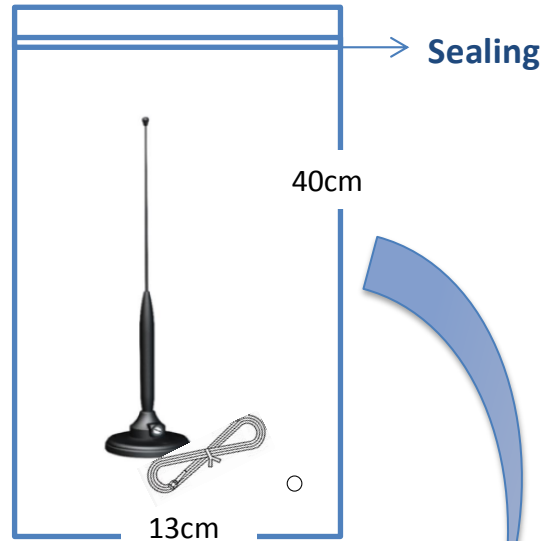
THE FASTEST  
CONNECTION  
IS HERE.



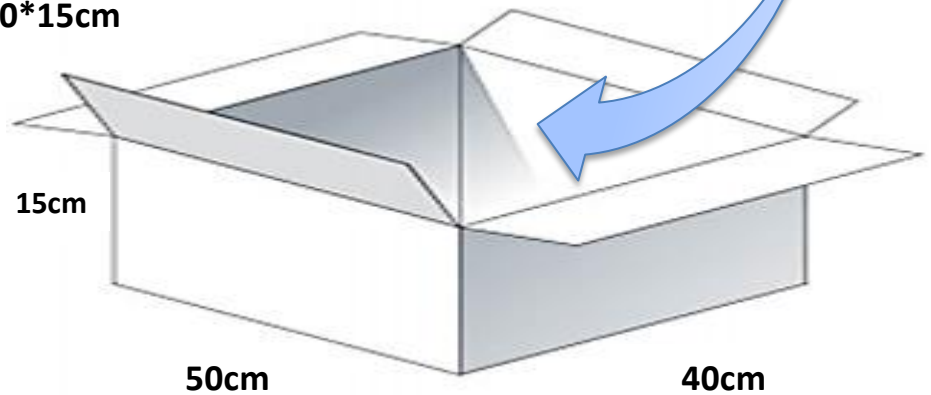
4G+

## Packaging

\*1 pc Antenna PE bag/ each



\*25 pcs Bulk /per carton  
Carton Dimensions:50\*40\*15cm





# Antenna Applications

